

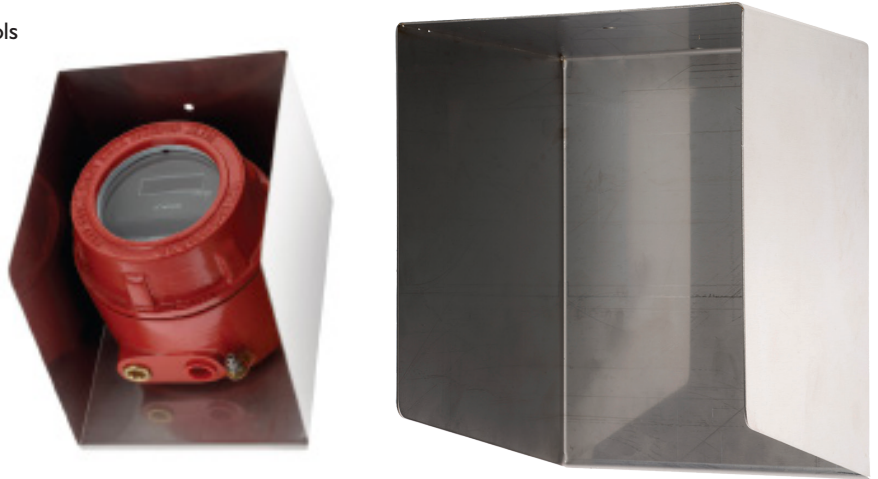
TALENTUM®

WEATHER SHIELD (EX D) [SS]

07279-00

To complement your Talentum installation, we also offer a comprehensive range of accessories and tools for your specialist application.

The Weather Shield (Ex d) [SS] is intended to be mounted in between a flameproof (Ex d) flame detector and adjustable mounting bracket, to prevent obscuration by particles, the rain and glare from the sun.



FEATURES

- Stainless steel (304)
- Protection from rain, sun, snow, dust and heat
- Mounts on adjustable bracket 07127

TALENTUM FLAME DETECTORS

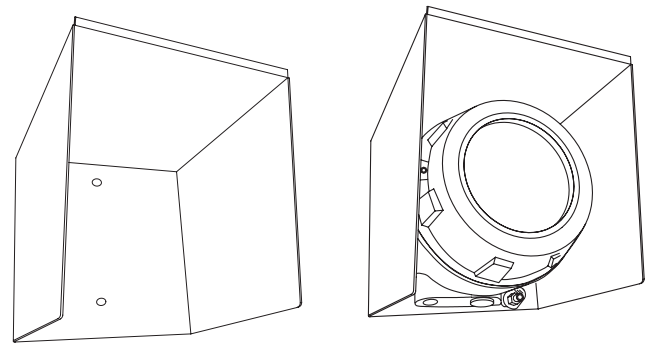
| | |
|-------|---------------------------|
| 16581 | Flame Detector IR2 |
| 16571 | Flame Detector IR2 (I.S) |
| 16511 | Flame Detector IR2 (Ex d) |
| 16591 | Flame Detector UV/IR2 |
| 16589 | Flame Detector IR3 |
| 16579 | Flame Detector IR3 (I.S.) |
| 16519 | Flame Detector IR3 (Ex d) |

ACCESSORIES

| | |
|----------|-----------------------------|
| 07127-00 | Adjustable Mounting Bracket |
| 12545-00 | Weather Shield [SS] |
| 07279-00 | Weather Shield (EX d) [SS] |
| 12556-00 | Air Purge Adapter |
| 12555-00 | Air Purge Adapter (Ex d) |
| 1800-101 | Talentum Test Torch |

DIMENSIONS

- Length = 211 mm
- Width = 167 mm
- Height = 165 mm



Specifications and wiring information are provided for information only and are believed to be accurate. FFE Ltd assumes no responsibility for their use. Data and design are subject to change without notice. Installation and wiring instructions are shipped with the products and should always be used for actual installation. For more information, contact your Sales Representative. Document Part No: 24-0076-04

